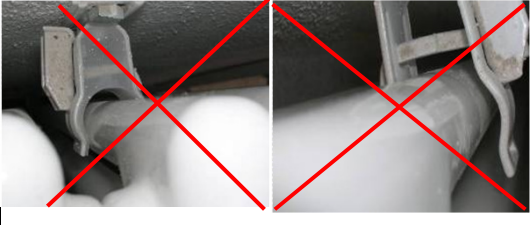
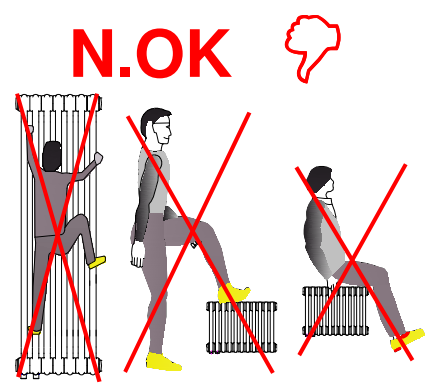
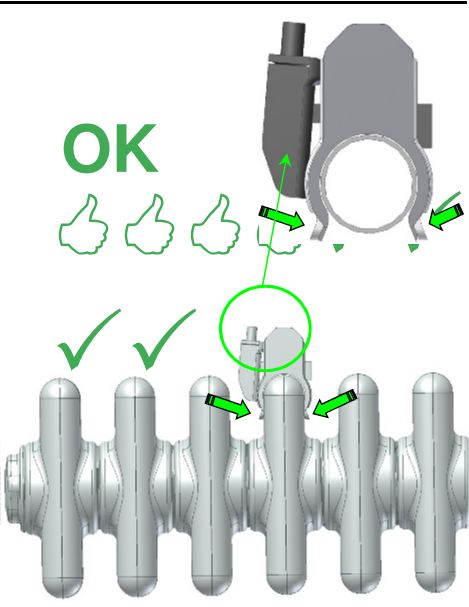
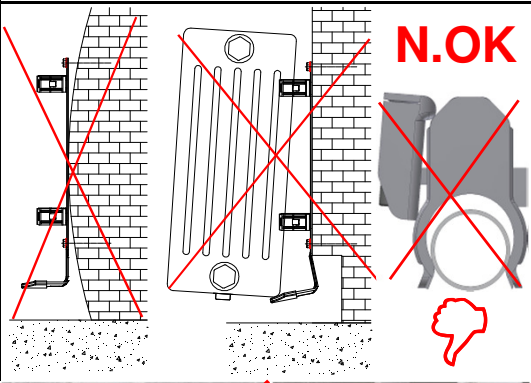
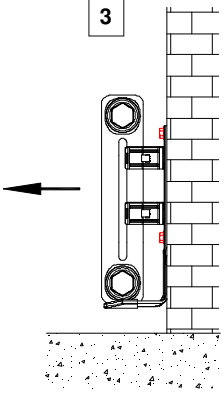
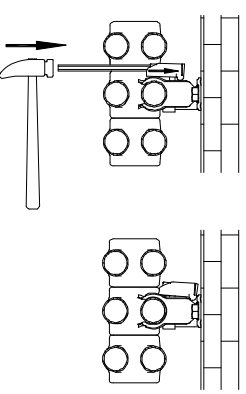
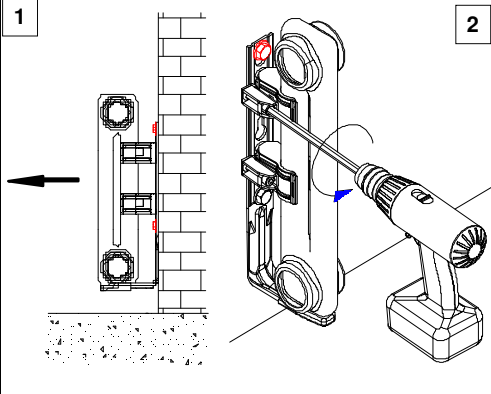
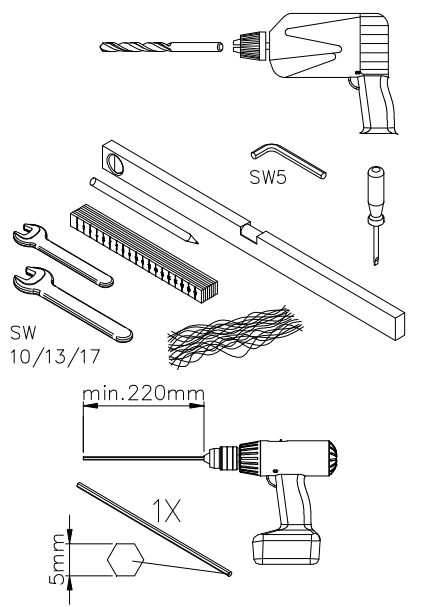
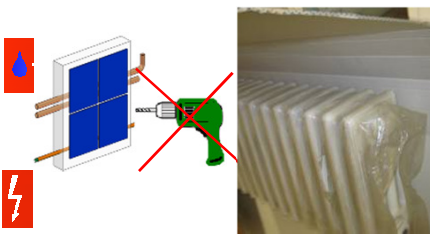
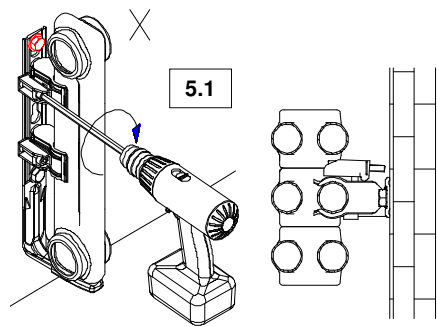
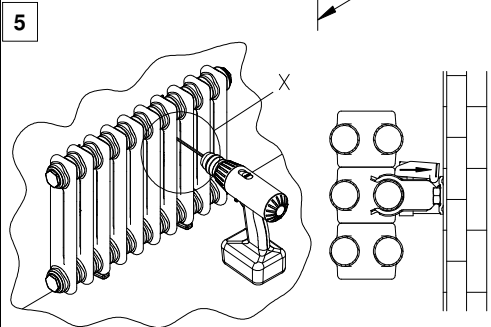
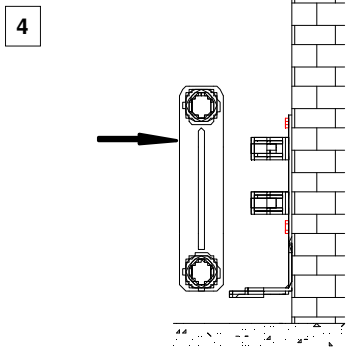
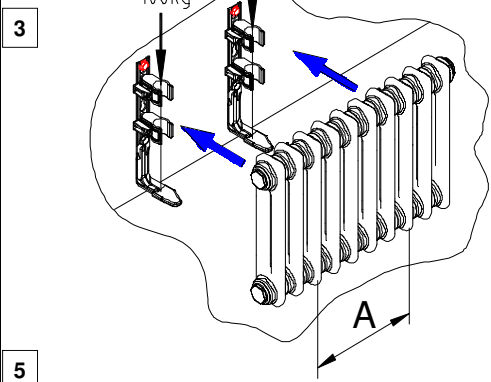
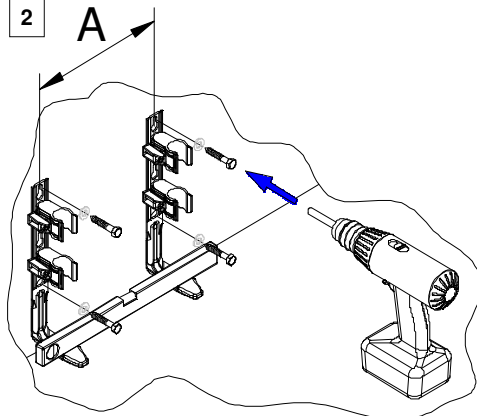
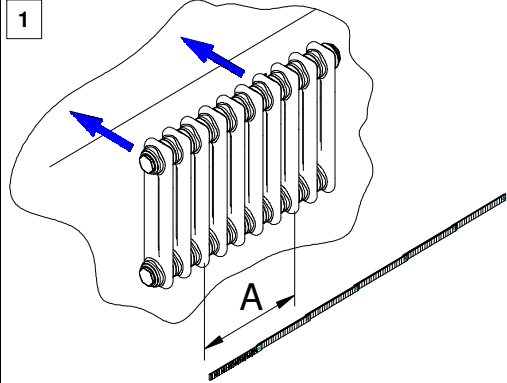

Zehnder Charleston
zestawy montażowe SMB

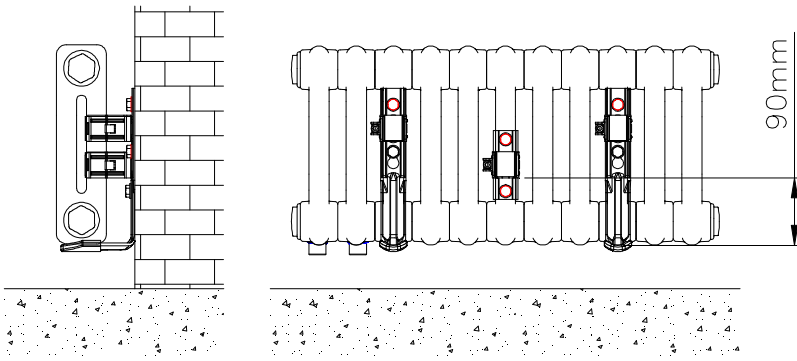


Instrukcja montażu

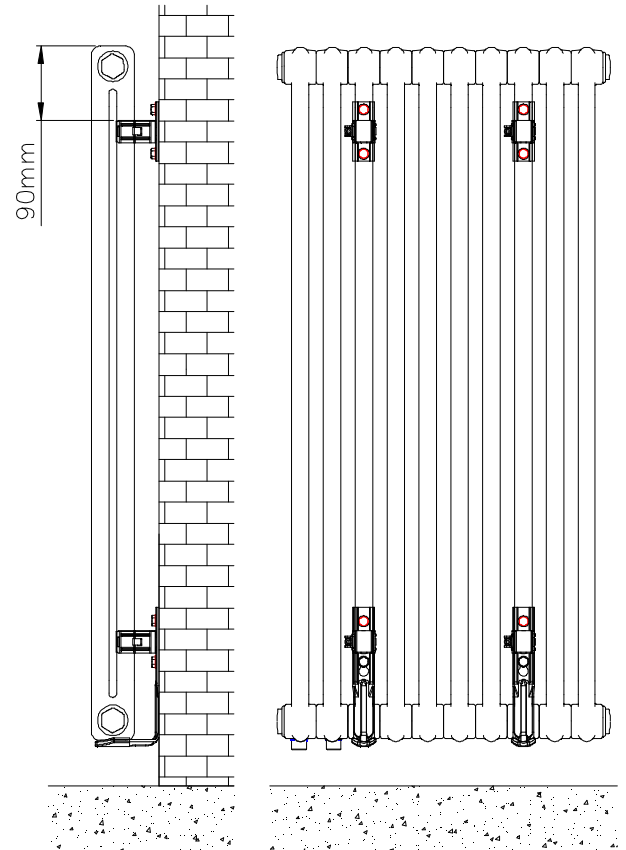


H mm	245-299	300-369	370-484	485-679	680-1000	1001-1500	1501-2200	2201-3000					
	SMB2T	SMB30	SMB40	SMB50	SMB75	SMB2T	SMB2T	SMB2T					
	max. 100kg	max. 100kg	max. 100kg	max. 100kg	max. 100kg	max. 100kg	max. 100kg	max. 100kg					
Model													
2xSMB	4-22 El.		4-22 El.		4-22 El.	4-15 El.	4-15 El.	4-10 El.	4-11 El.	4-10 El.	4-8 El.	4-8 El.	4-8 El.
3xSMB	23-39 El.		23-39 El.		23-39 El.	16-29 El.	16-30 El.	11-20 El.	12-21 El.	11-16 El.	9-15 El.	9-14 El.	9-12 El.
4xSMB	40-50 El.		40-50 El.		40-55 El.	30-42 El.	31-45 El.	21-30 El.	22-31 El.	17-21 El.	16-22 El.	15-19 El.	13-17 El.
5xSMB	51-60 El.		51-60 El.		56-65 El.	43-55 El.	46-60 El.	31-40 El.	32-41 El.	22-27 El.	23-29 El.	20-24 El.	18-21 El.
Model													
2xSMB	4-16 El.		4-16 El.		4-14 El.	4-14 El.	4-10 El.	4-11 El.	4-8 El.	4-8 El.	4-8 El.	4-7 El.	4-7 El.
3xSMB	17-27 El.		17-27 El.		15-27 El.	15-27 El.	11-20 El.	12-21 El.	9-15 El.	9-15 El.	8-12 El.	8-12 El.	8-12 El.
4xSMB	28-40 El.		28-40 El.		28-40 El.	28-40 El.	21-30 El.	22-31 El.	16-22 El.	16-22 El.	13-16 El.	13-16 El.	13-16 El.
5xSMB	41-55 El.		41-55 El.		41-55 El.	41-55 El.	21-38 El.	32-41 El.	23-27 El.	23-29 El.	17-20 El.	17-20 El.	17-20 El.

SMB2T H=245-299mm



SMB2T H=1001-3000mm



SMB30/40/50/75

